

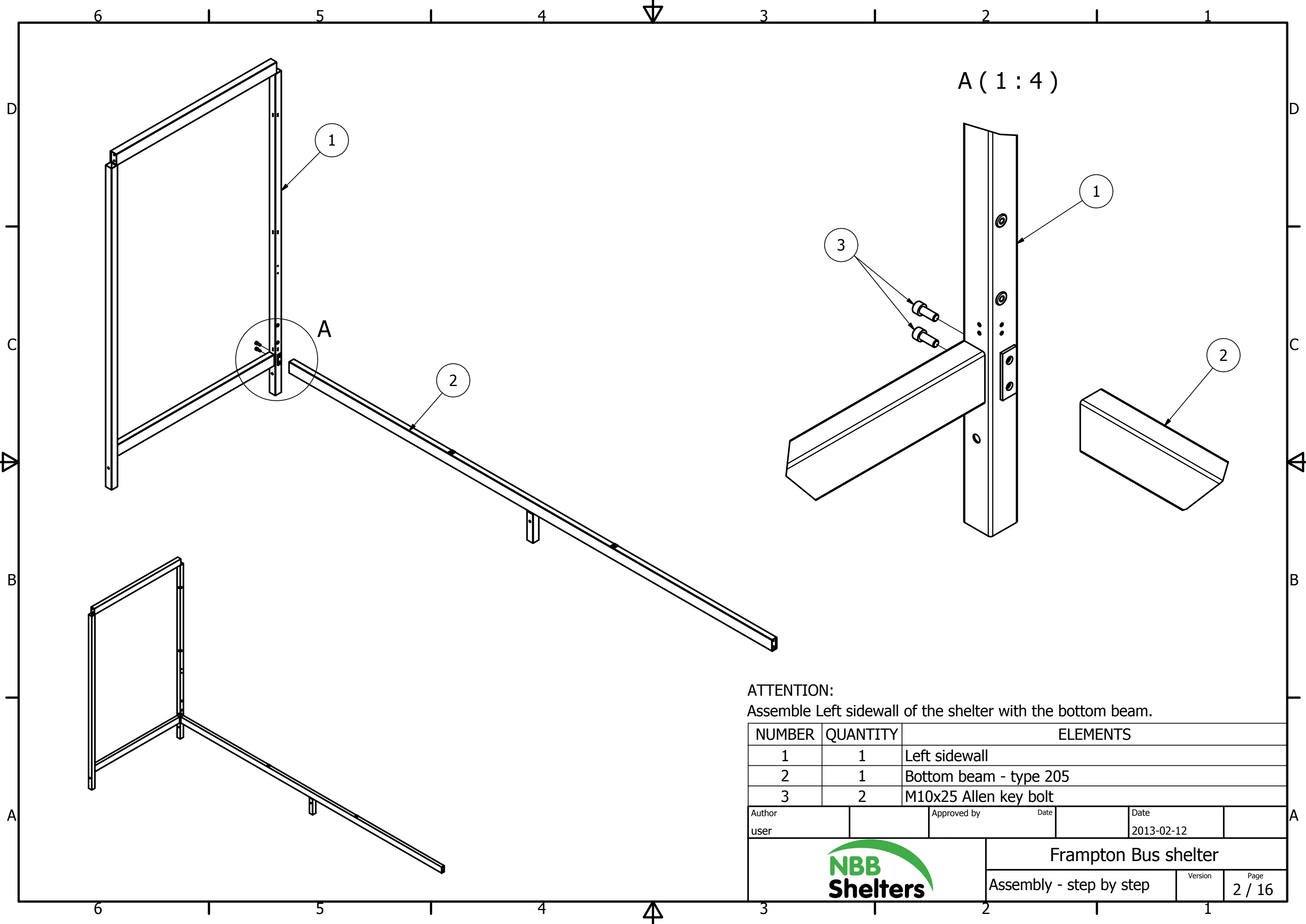
Assembly Instructions Framton Bus Shelter



Unit 5, Sterte Road Industrial Estate
Sterte Road, Poole, Dorset
BH15 2AF

Shelter Type: NUB006/NUB007/NUB008

NUB006-01-030117-NBB



A (1 : 4)

ATTENTION:

Assemble Left sidewall of the shelter with the bottom beam.

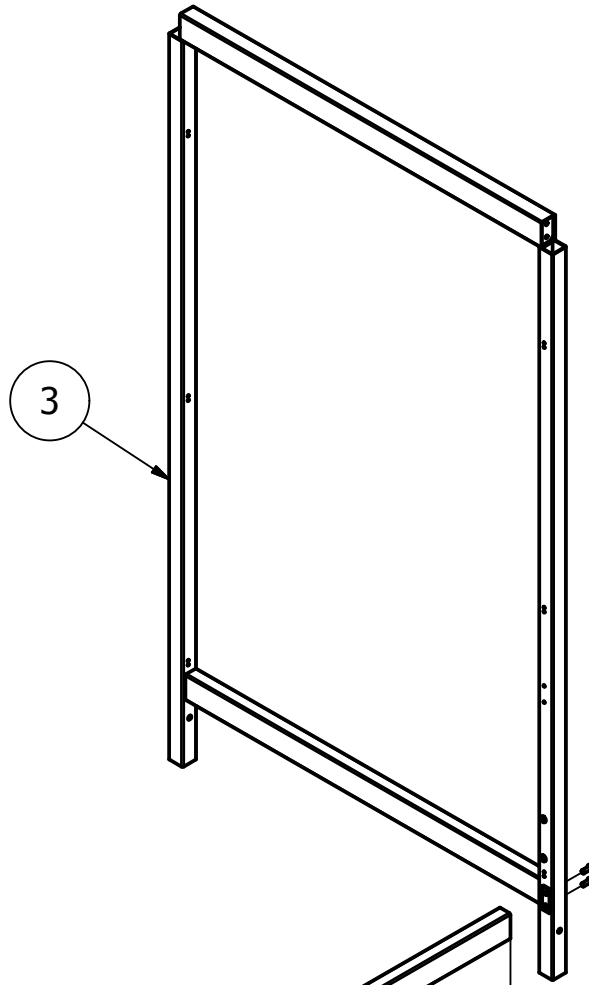
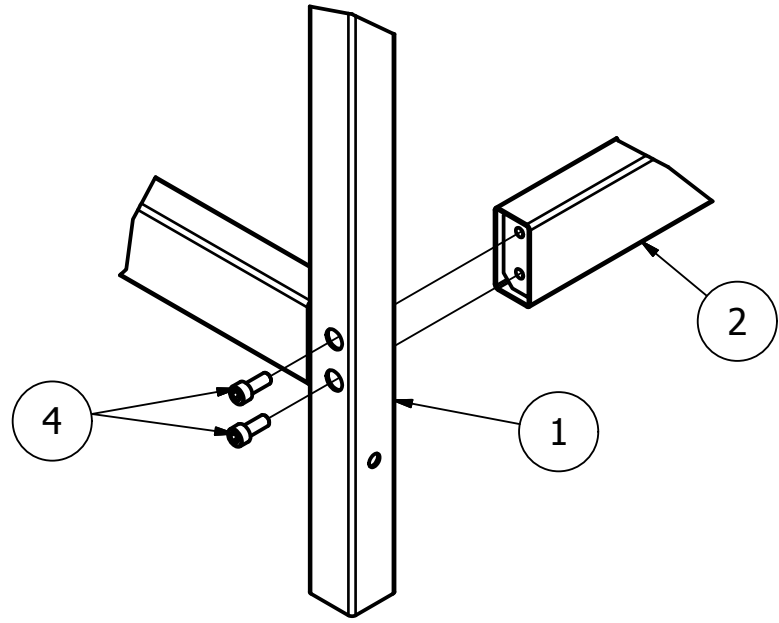
NUMBER	QUANTITY	ELEMENTS
1	1	Left sidewall
2	1	Bottom beam - type 205
3	2	M10x25 Allen key bolt

Author user		Approved by	Date	Date 2013-02-12
----------------	--	-------------	------	--------------------

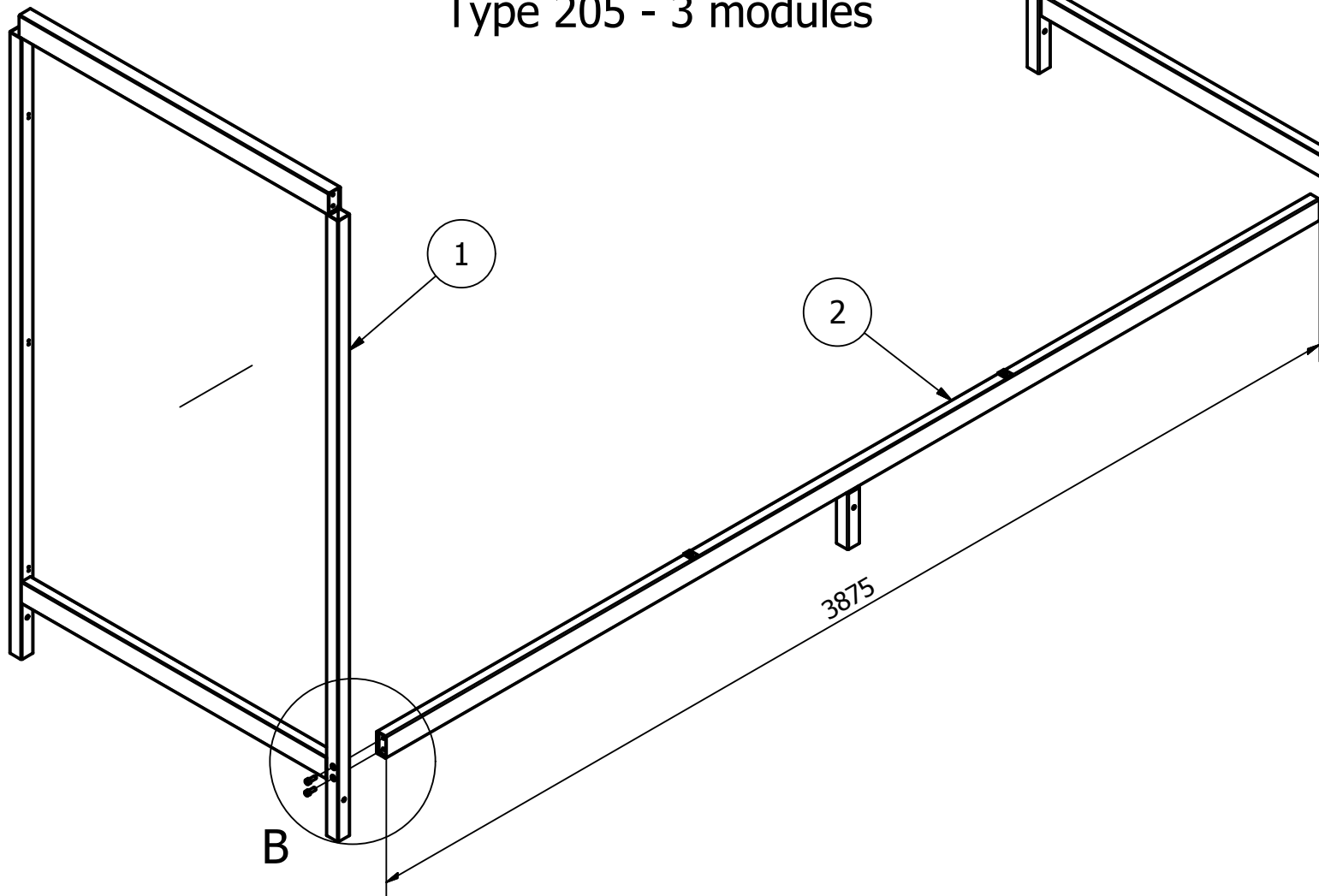


Frampton Bus shelter		
Assembly - step by step	Version	Page 2 / 16

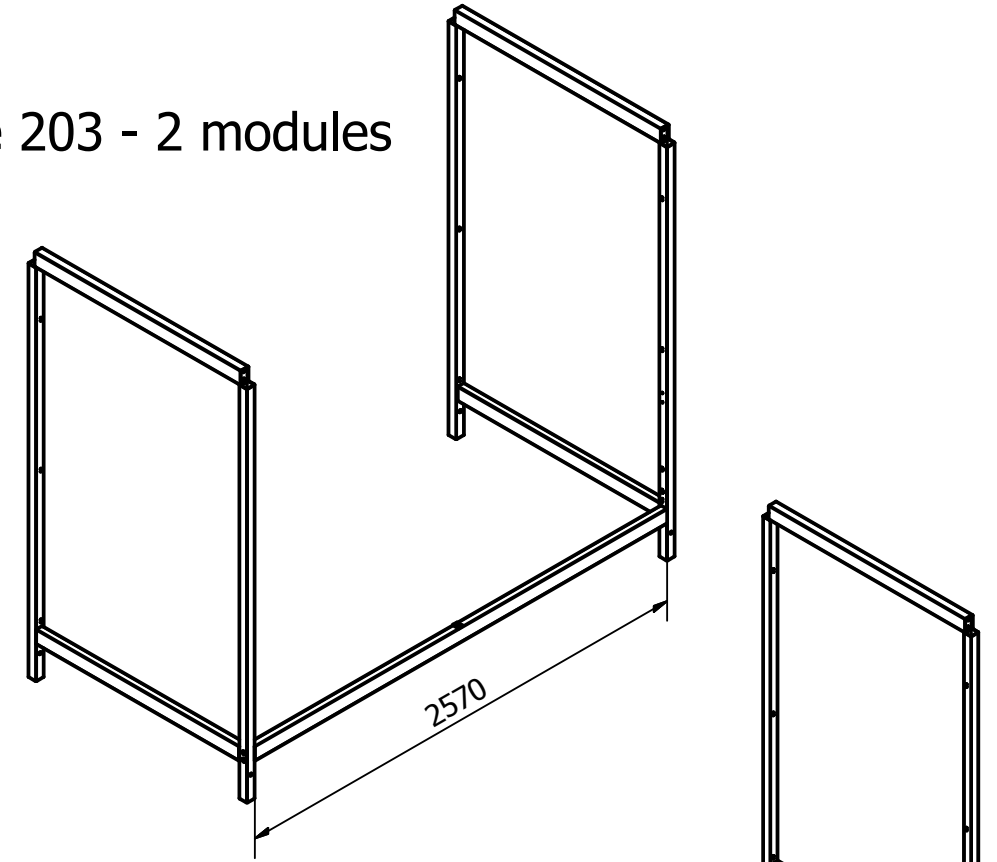
B (1 : 6)



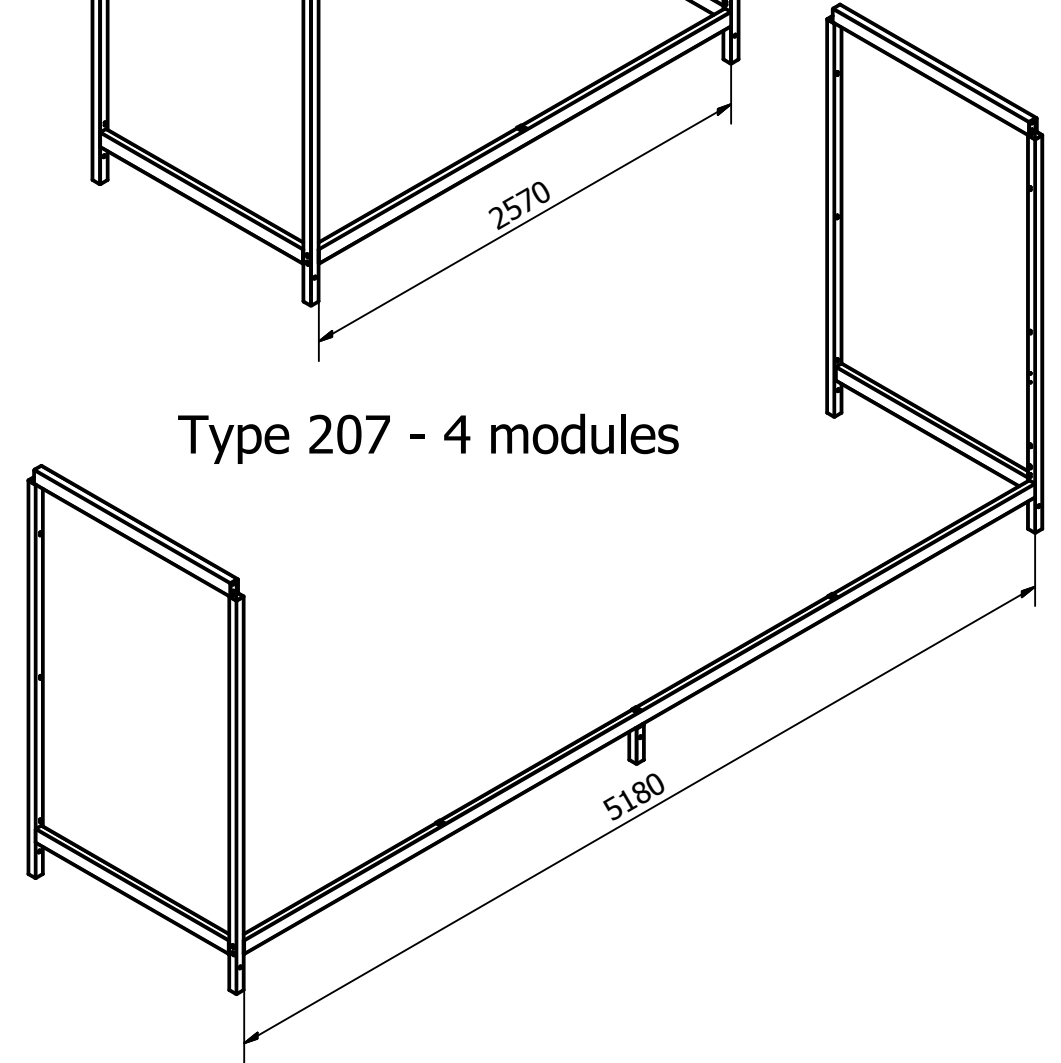
Type 205 - 3 modules



Type 203 - 2 modules



Type 207 - 4 modules



NUMBER	QUANTITY	ELEMENTS
1	1	Right sidewall
2	1	Bottom beam - type 205
3	1	Left sidewall
4	4	M10x25 Allen key bolt

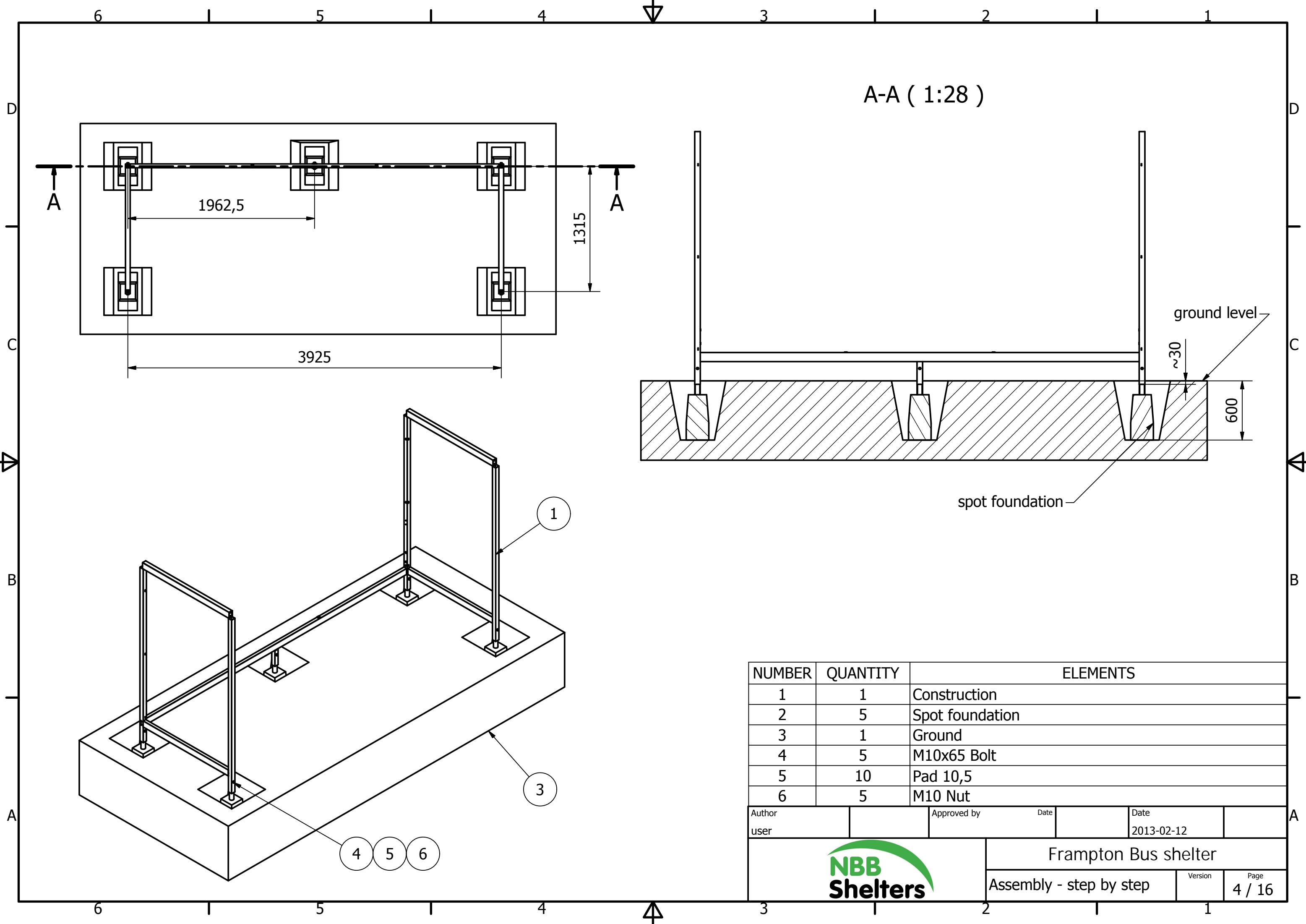
Author user	Approved by	Date 2013-02-12
----------------	-------------	--------------------



Frampton Bus shelter


Assembly - step by step

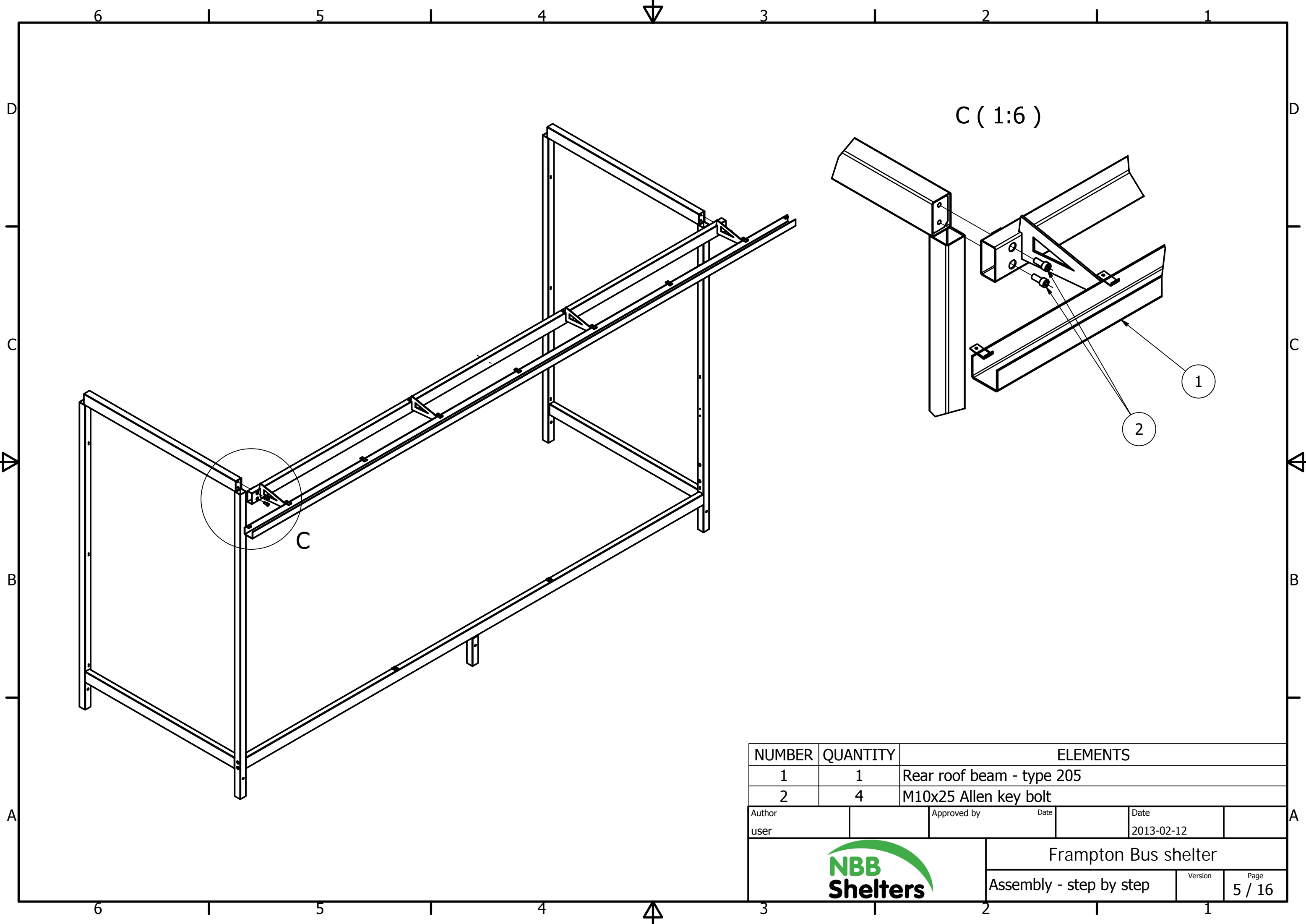
Version
Page
3 / 16




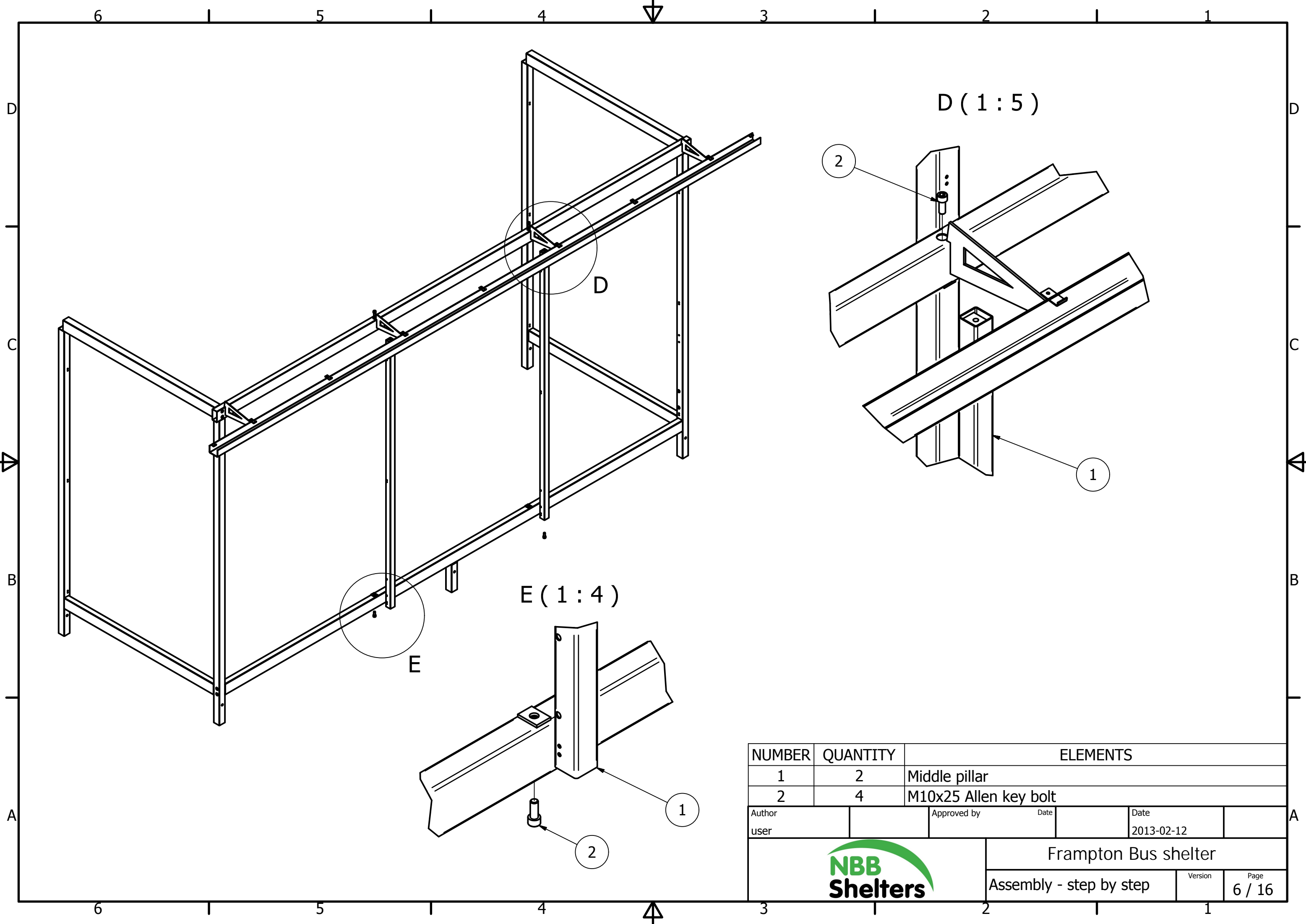
A-A (1:28)


NUMBER	QUANTITY	ELEMENTS
1	1	Construction
2	5	Spot foundation
3	1	Ground
4	5	M10x65 Bolt
5	10	Pad 10,5
6	5	M10 Nut

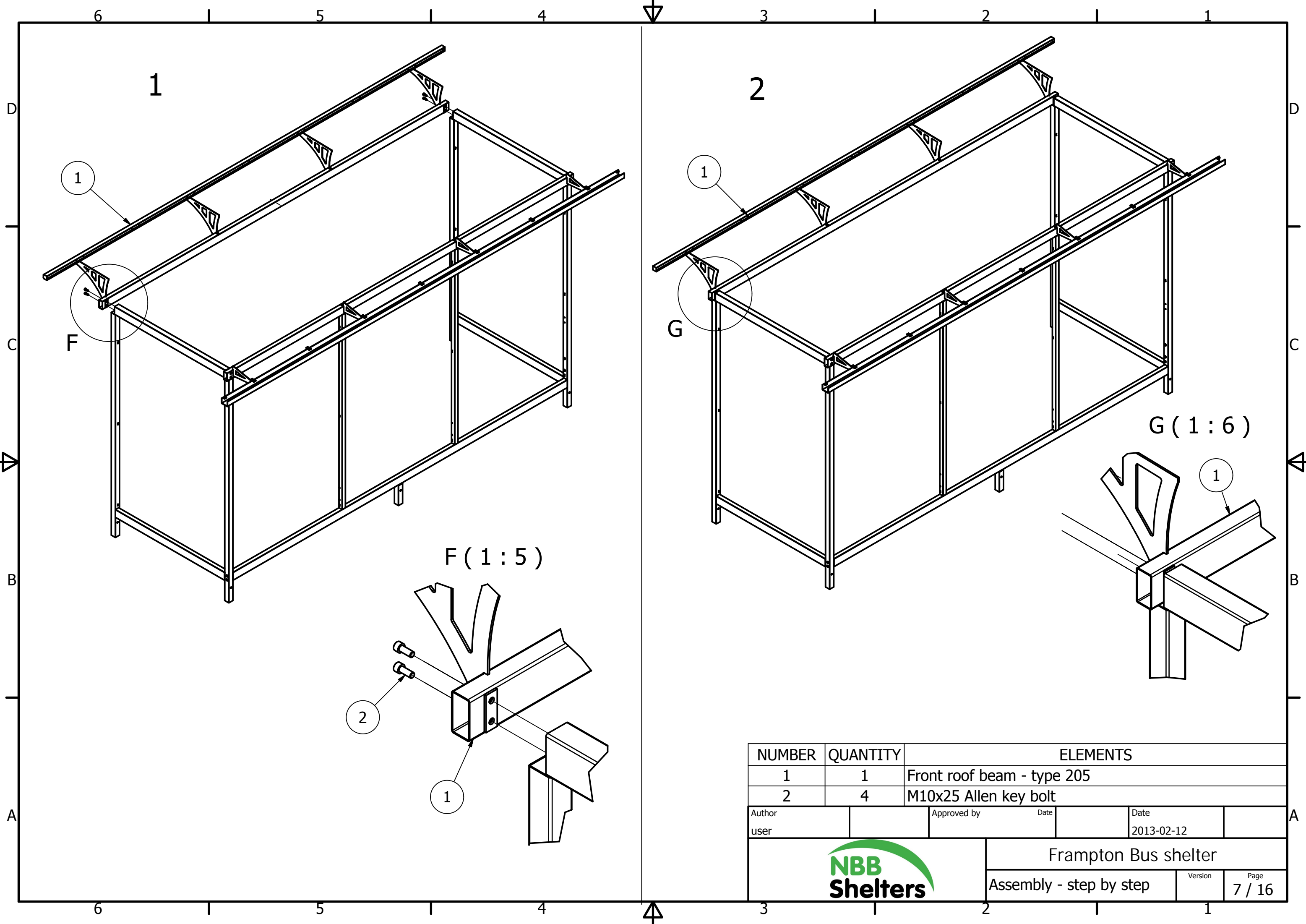
Author user	Approved by	Date 2013-02-12
		Frampton Bus shelter Assembly - step by step
		Version Page 4 / 16



NUMBER	QUANTITY	ELEMENTS			
1	1	Rear roof beam - type 205			
2	4	M10x25 Allen key bolt			
Author user		Approved by		Date 2013-02-12	
		Frampton Bus shelter			
		Assembly - step by step	Version	Page 5 / 16	



NUMBER	QUANTITY	ELEMENTS			
1	2	Middle pillar			
2	4	M10x25 Allen key bolt			
Author user		Approved by		Date 2013-02-12	Date
		Frampton Bus shelter			
		Assembly - step by step		Version	Page 6 / 16



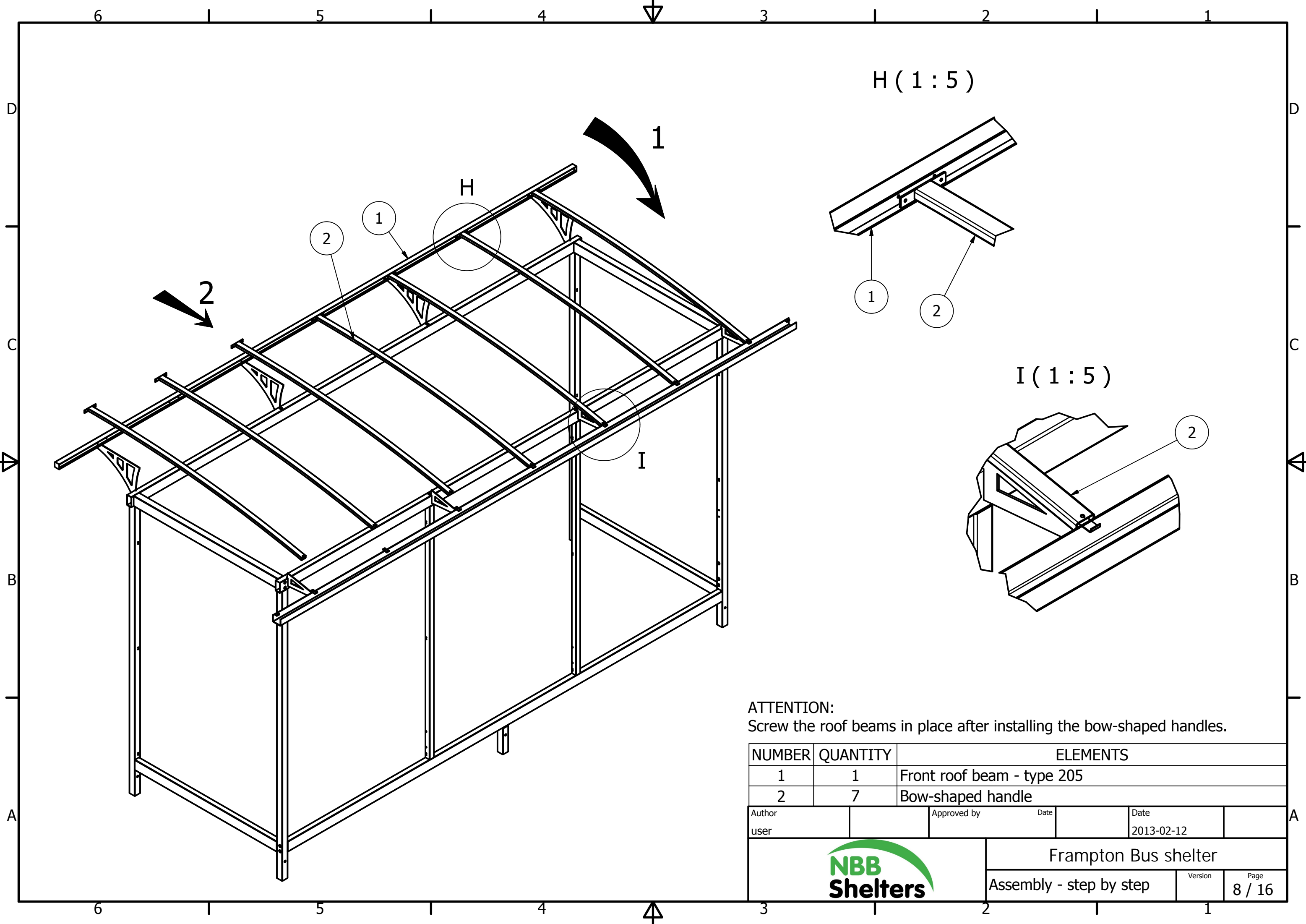
NUMBER	QUANTITY	ELEMENTS
1	1	Front roof beam - type 205
2	4	M10x25 Allen key bolt

Author user	Approved by	Date 2013-02-12
----------------	-------------	--------------------



Frampton Bus shelter

Assembly - step by step	Version	Page 7 / 16
-------------------------	---------	----------------



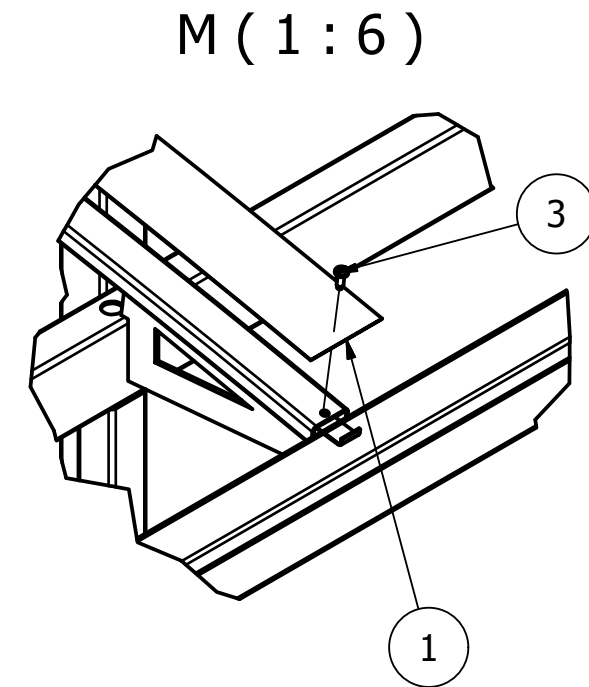
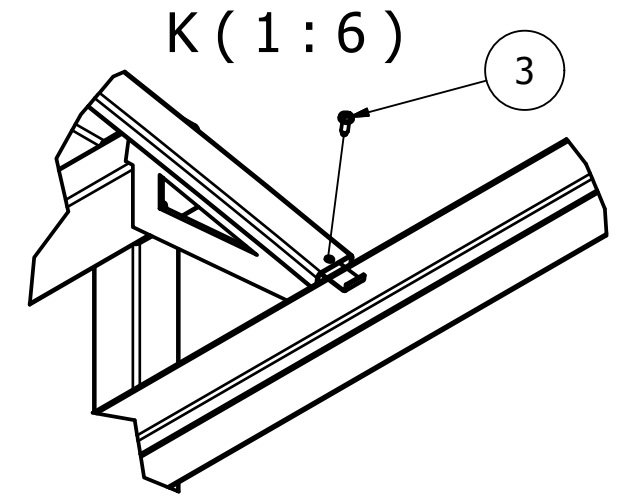
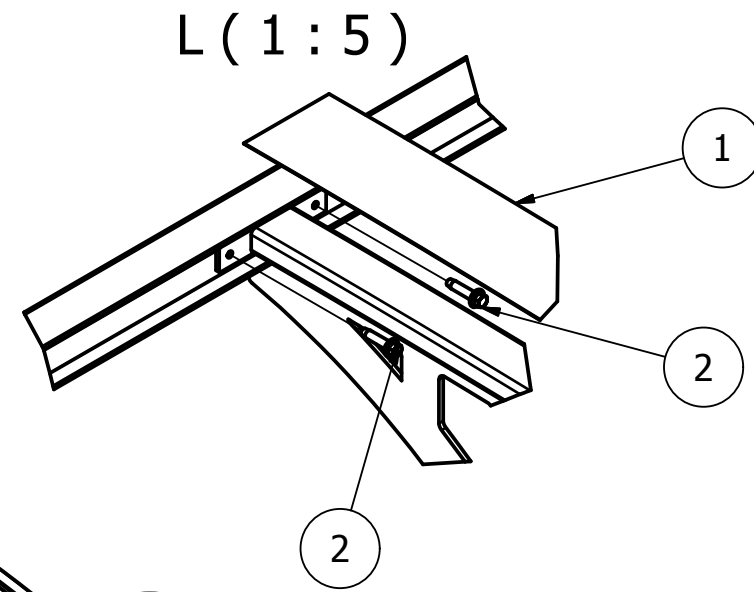
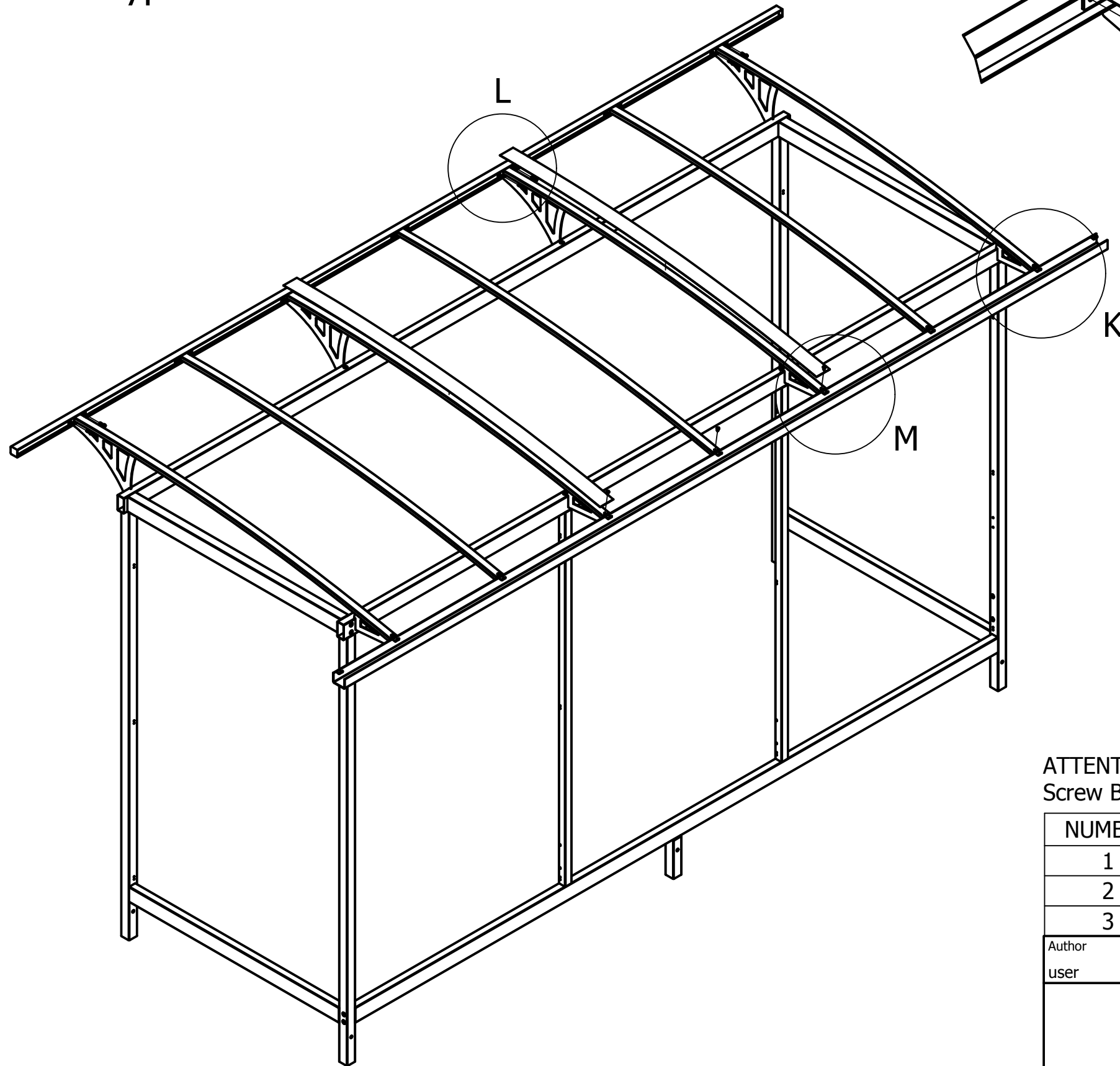
ATTENTION:
Screw the roof beams in place after installing the bow-shaped handles.

NUMBER	QUANTITY	ELEMENTS
1	1	Front roof beam - type 205
2	7	Bow-shaped handle

Author user	Approved by	Date 2013-02-12
----------------	-------------	--------------------



Type 205 - 3 modules



ATTENTION:

Screw Band #80 to bow-shaped handle of the shelter - detail M.

NUMBER	QUANTITY	ELEMENTS
1	2	Band #80
2	14	Screw 6,3x25
3	7	Screw 5,5x16

Author user	Approved by	Date 2013-02-12
----------------	-------------	--------------------

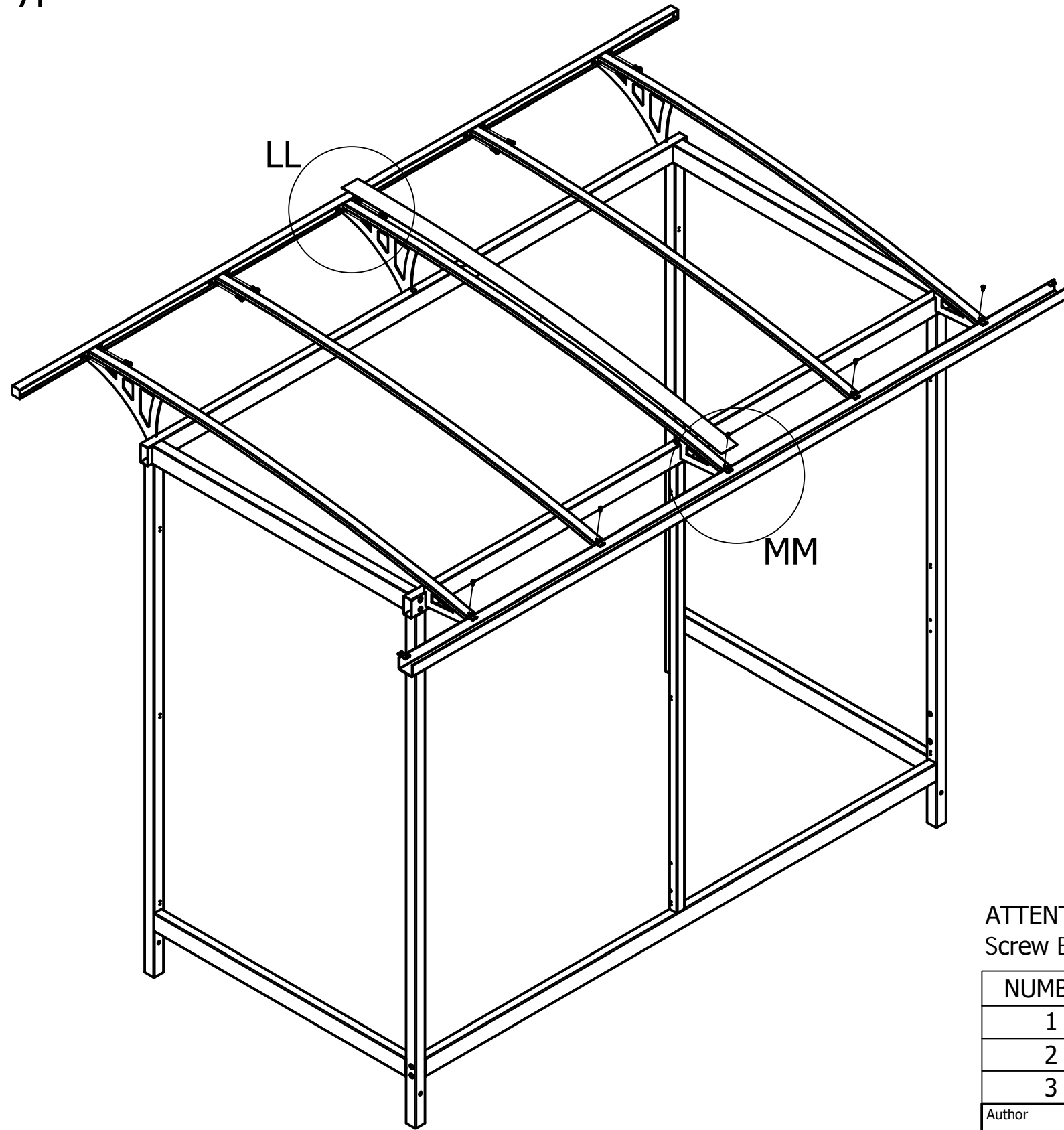


Frampton Bus shelter

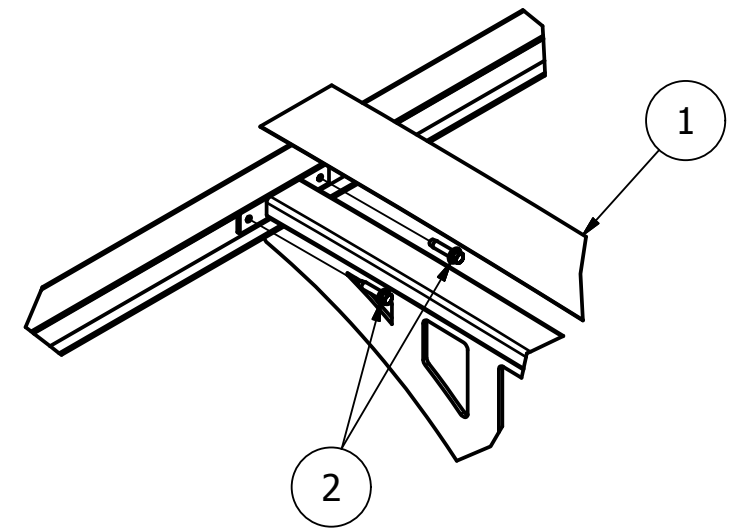
Assembly - step by step

Version
Page
9 / 16

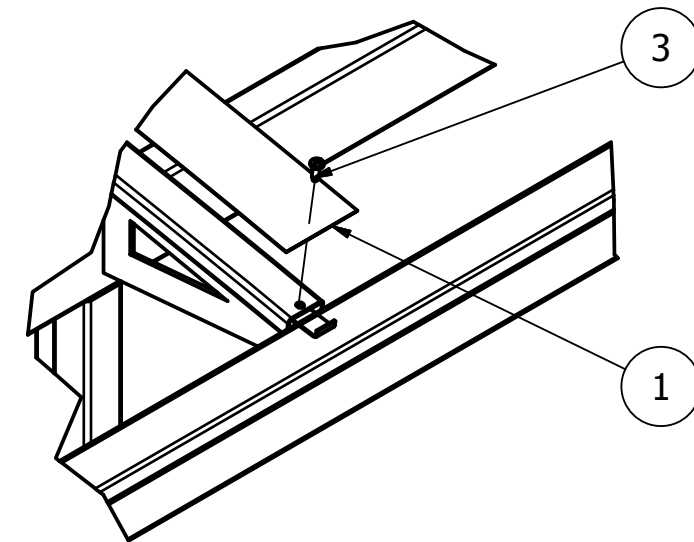
Type 203 - 2 modules



LL (1 : 6)



MM (1 : 6)



ATTENTION:

Screw Band #80 to bow-shaped handle of the shelter - detail MM.

NUMBER	QUANTITY	ELEMENTS
1	1	Band #80
2	10	Screw 6,3x25
3	5	Screw 5,5x16

Author user	Approved by	Date 2013-02-12
----------------	-------------	--------------------

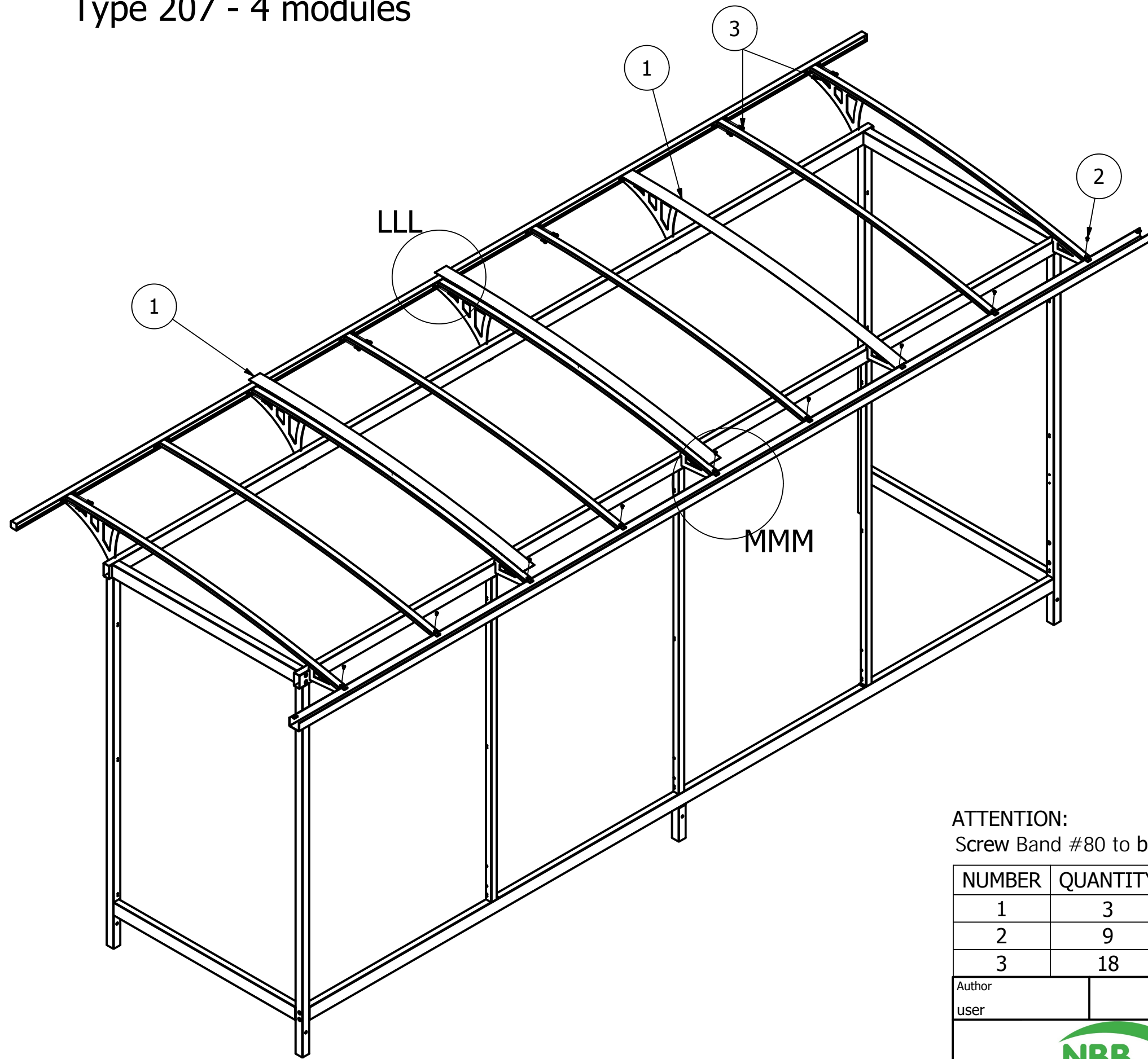


Frampton Bus shelter

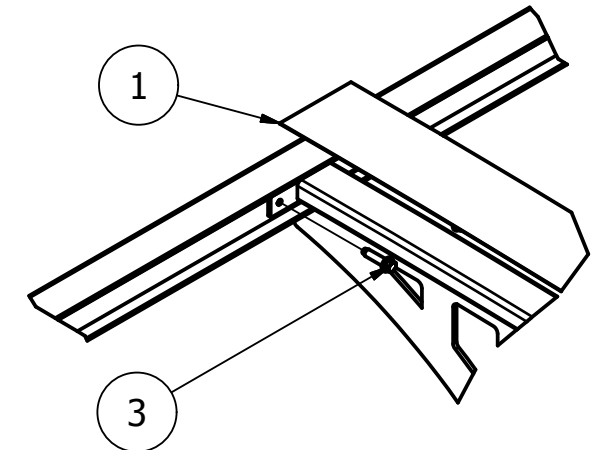
Assembly - step by step

Version
Page
10 / 16

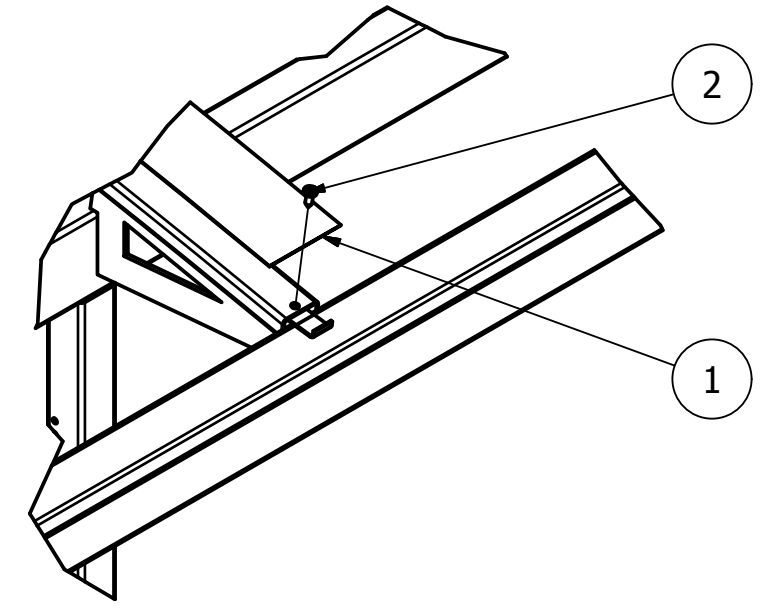
Type 207 - 4 modules



LLL (1 : 6)



MMM (1 : 6)



ATTENTION:

Screw Band #80 to bow-shaped handle of the shelter - detail MMM.

NUMBER	QUANTITY	ELEMENTS
1	3	Band #80
2	9	Screw 5,5x16
3	18	Screw 6.3x 25

Author user	Approved by	Date 2013-02-12
----------------	-------------	--------------------

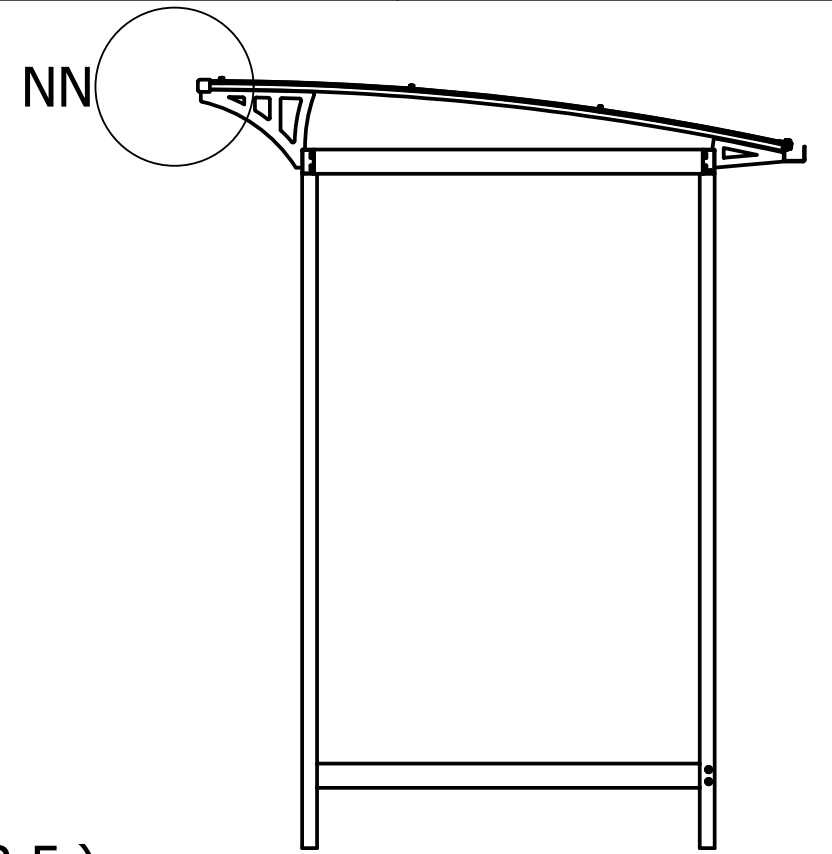
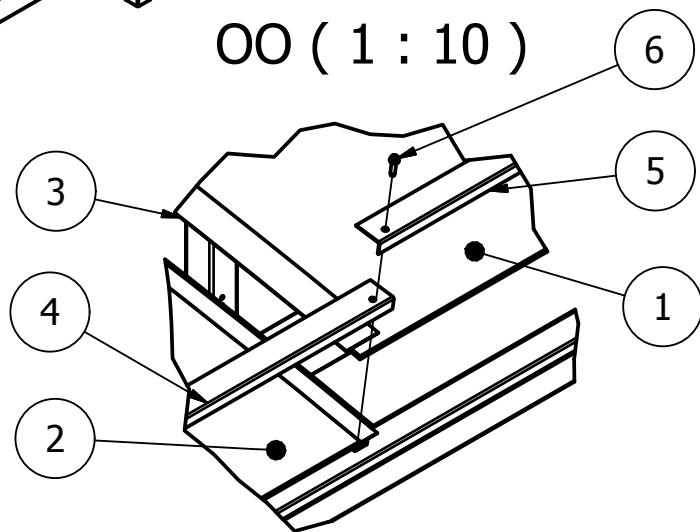
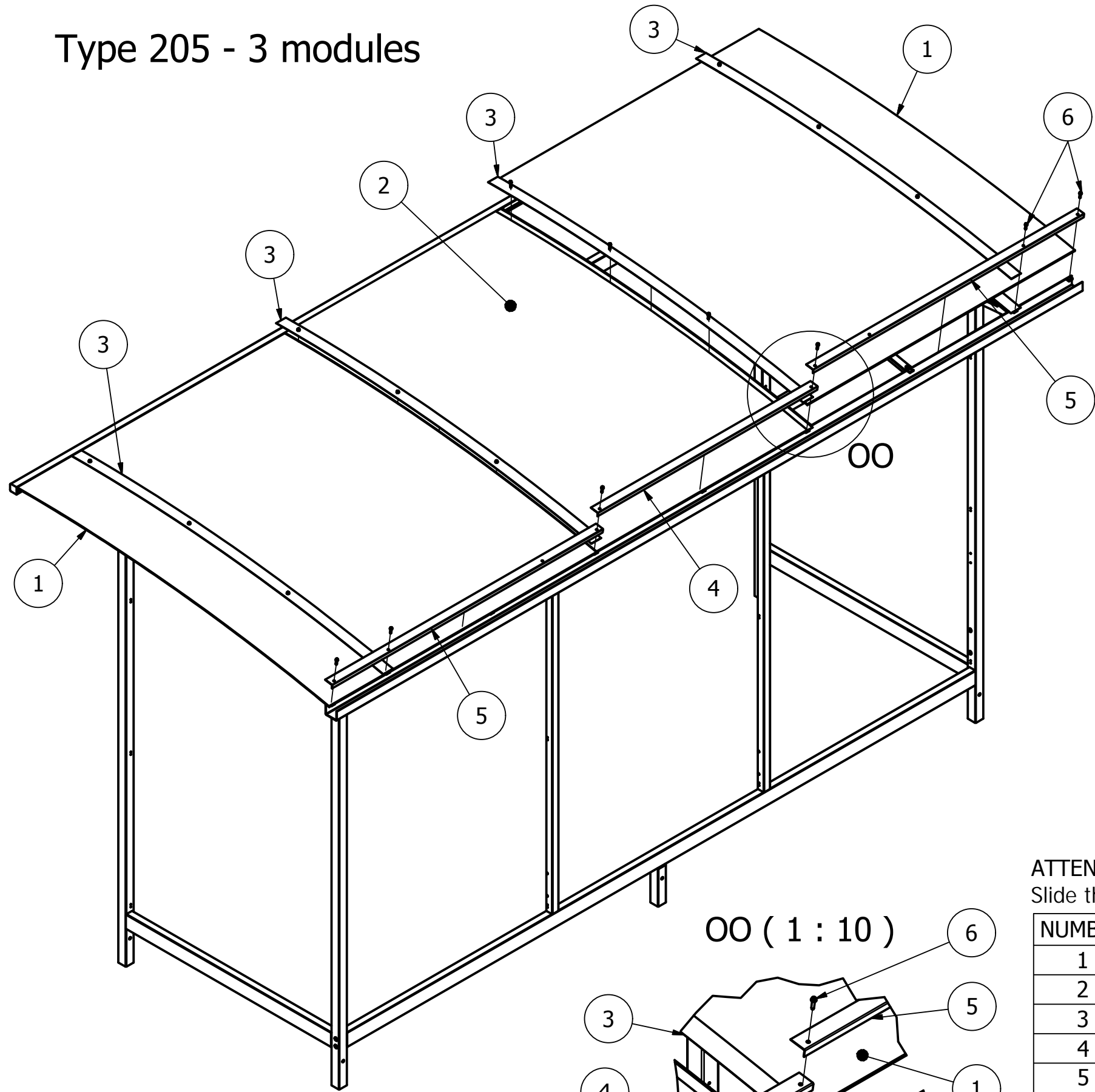


Frampton Bus shelter

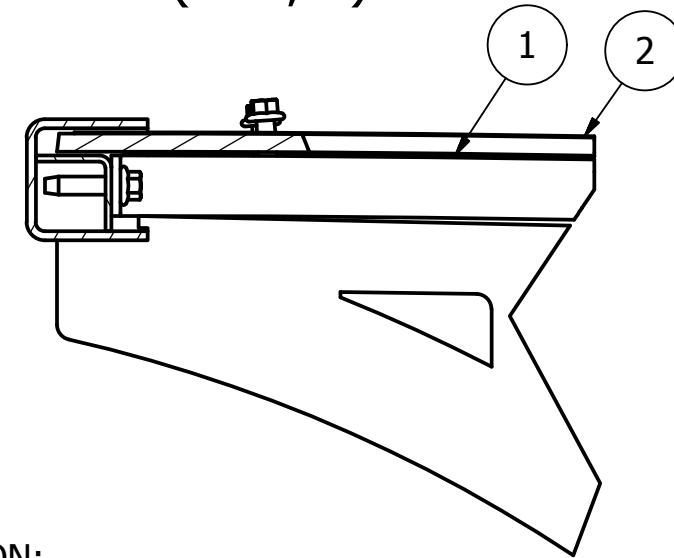
Assembly - step by step

Version Page
11 / 16

Type 205 - 3 modules




NN (1:2,5)



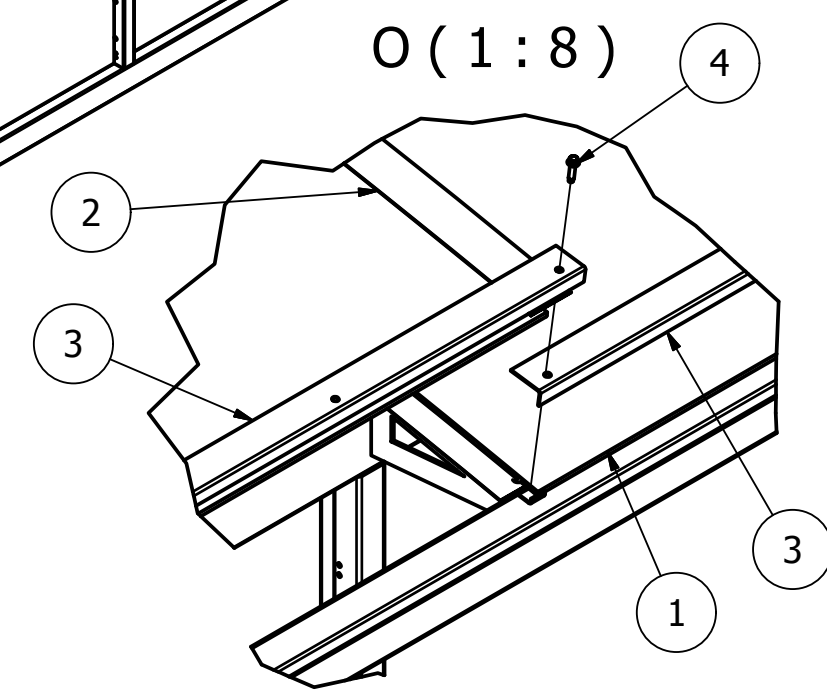
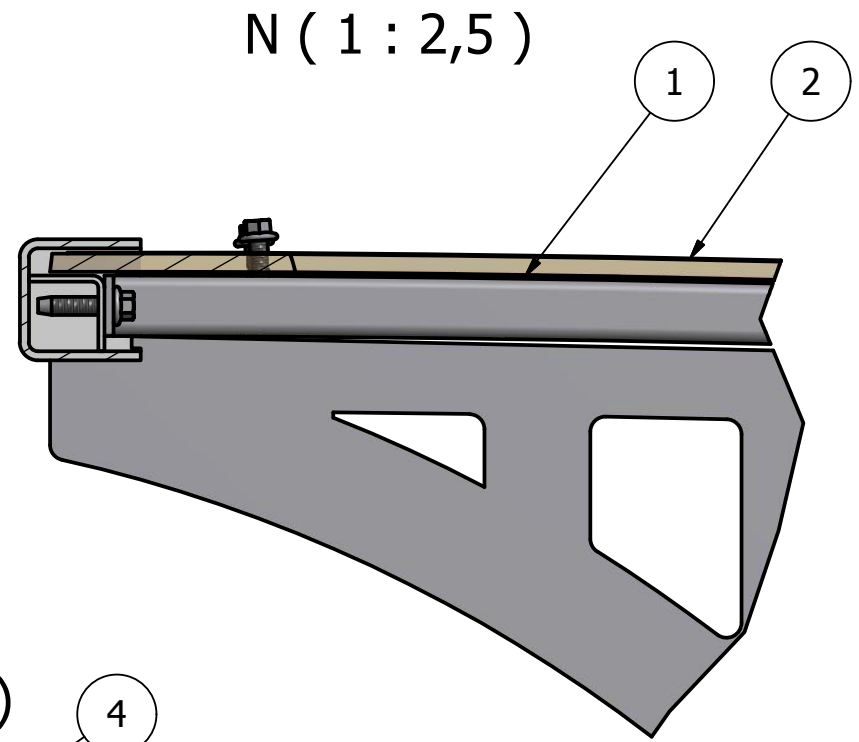
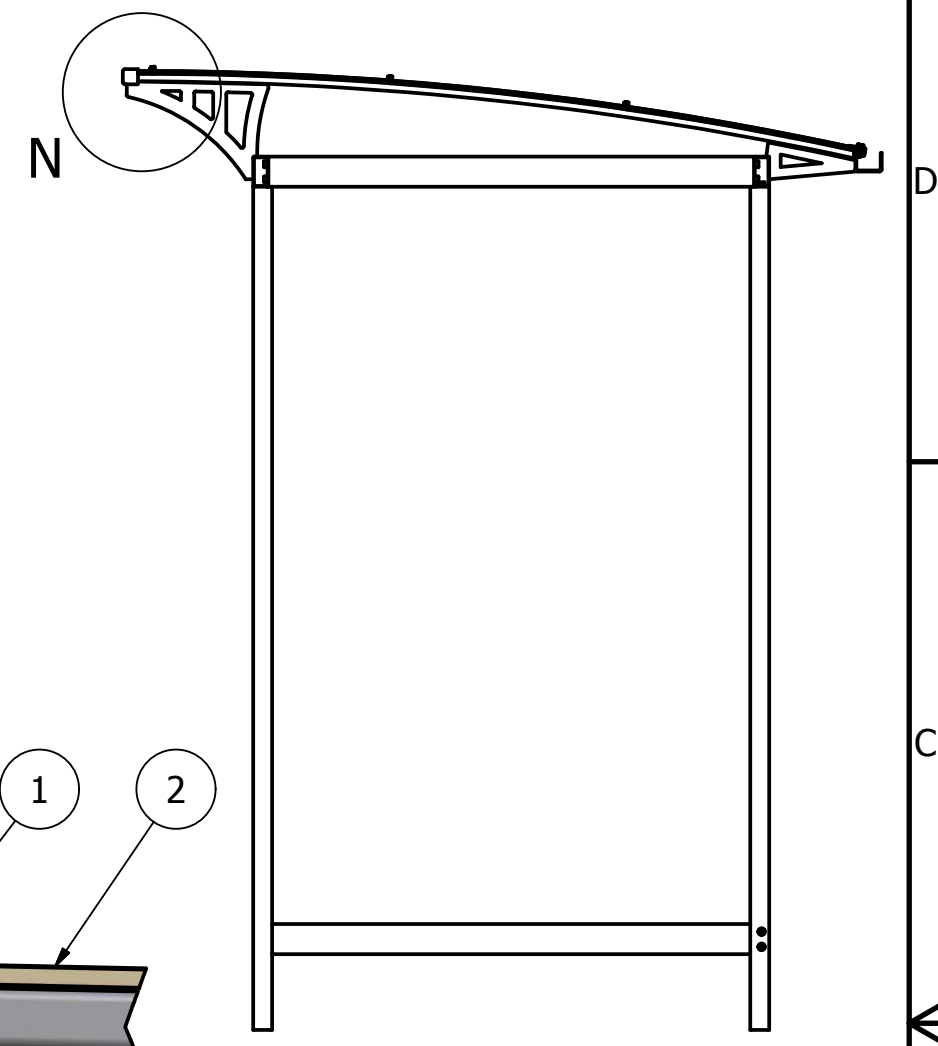
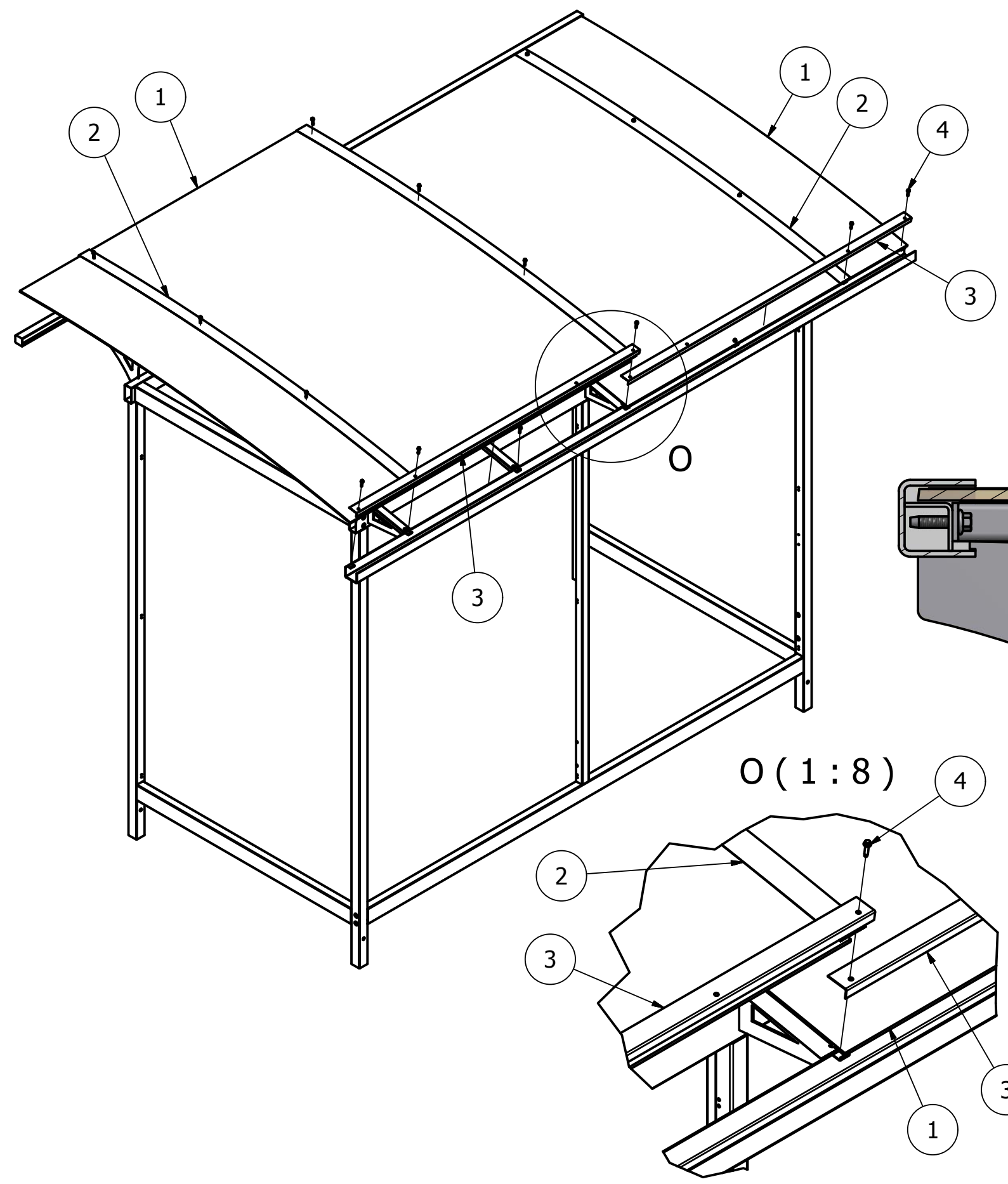
ATTENTION:

Slide the polycarbonate into the gap on the front roof beam - detail NN.

NUMBER	QUANTITY	ELEMENTS
1	2	Polycarbonate 6x1650x1960
2	1	Polycarbonate 6x1300x1960
3	4	Band #60
4	1	Angle section for fixing polycarbonate 45x20x1,5 L=1355
5	2	Angle section for fixing polycarbonate 45x20x1,5 L=1670
6	18	Screw 6.3x25

Author user	Approved by	Date 2013-02-12
		Frampton Bus shelter
		Assembly - step by step Version Page 12 / 16

Type 203 - 2 modules



ATTENTION:

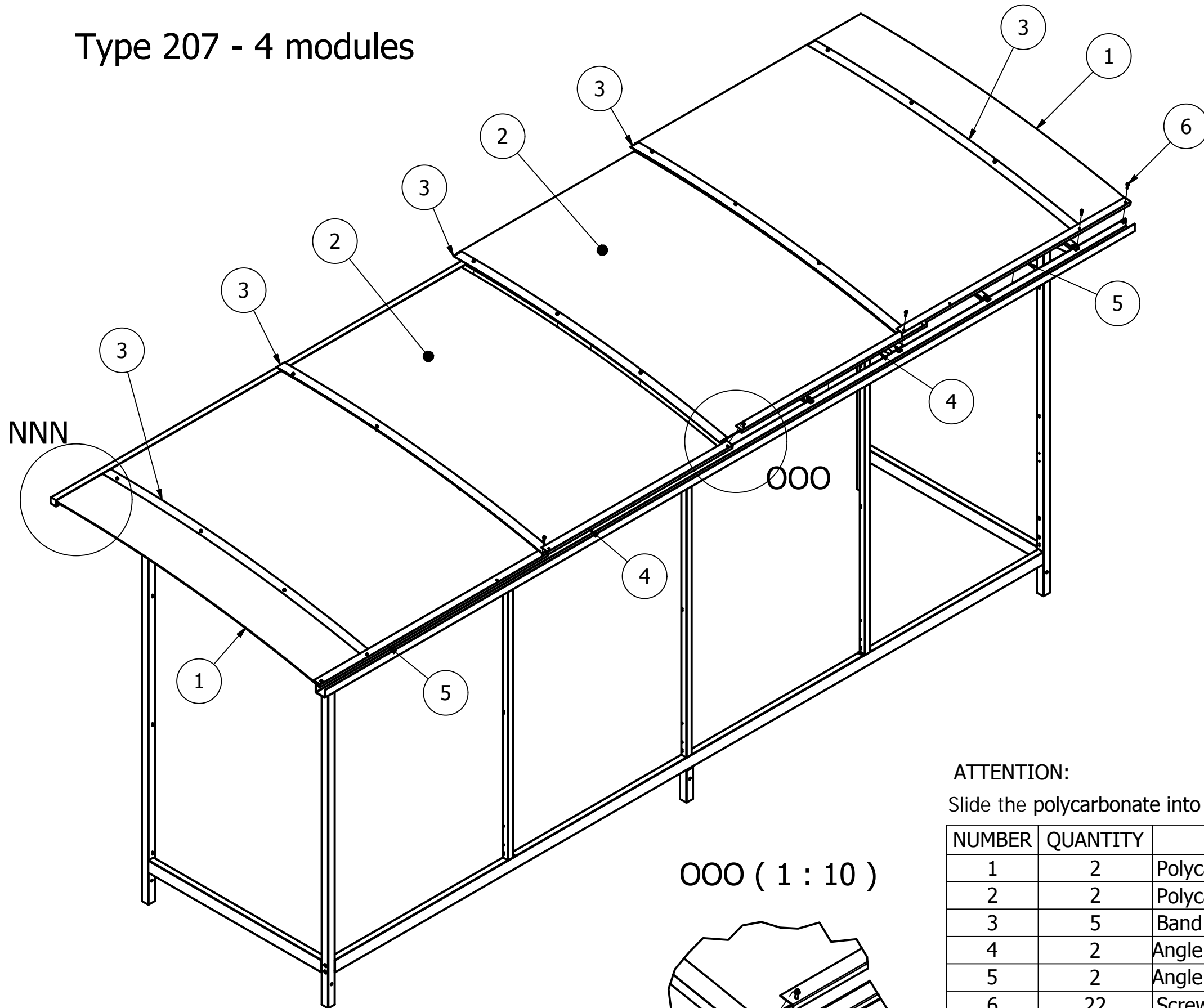
Slide the polycarbonate into the gap on the front roof beam - detail N.

NUM	QUANTI	ELEMENTS
1	2	Polycarbonate 6x1650x1960
2	3	Band #60
3	2	Try square of fixing polycarbonate 45x20x1,5 L=1670
4	14	Screw 6,3x25

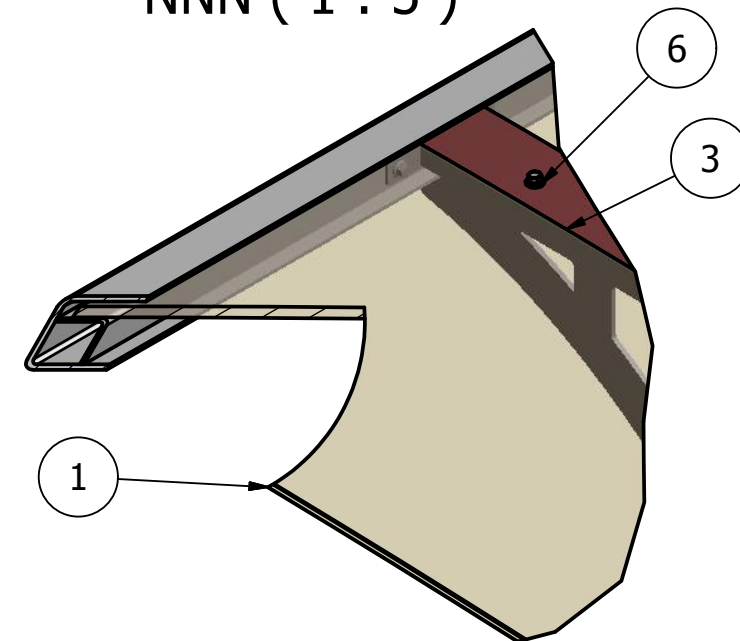
Author user	Approved by	Date 2013-02-12
----------------	-------------	--------------------



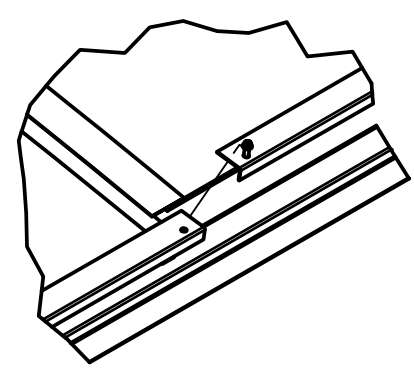
Type 207 - 4 modules



NNN (1 : 5)



OOO (1 : 10)



ATTENTION:

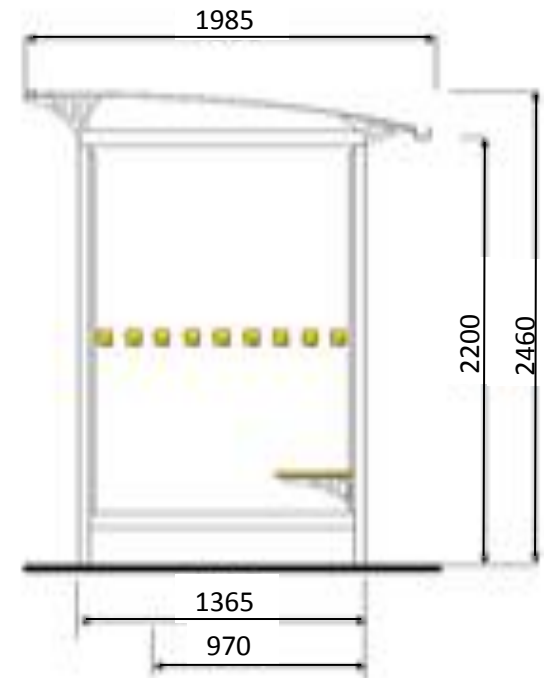
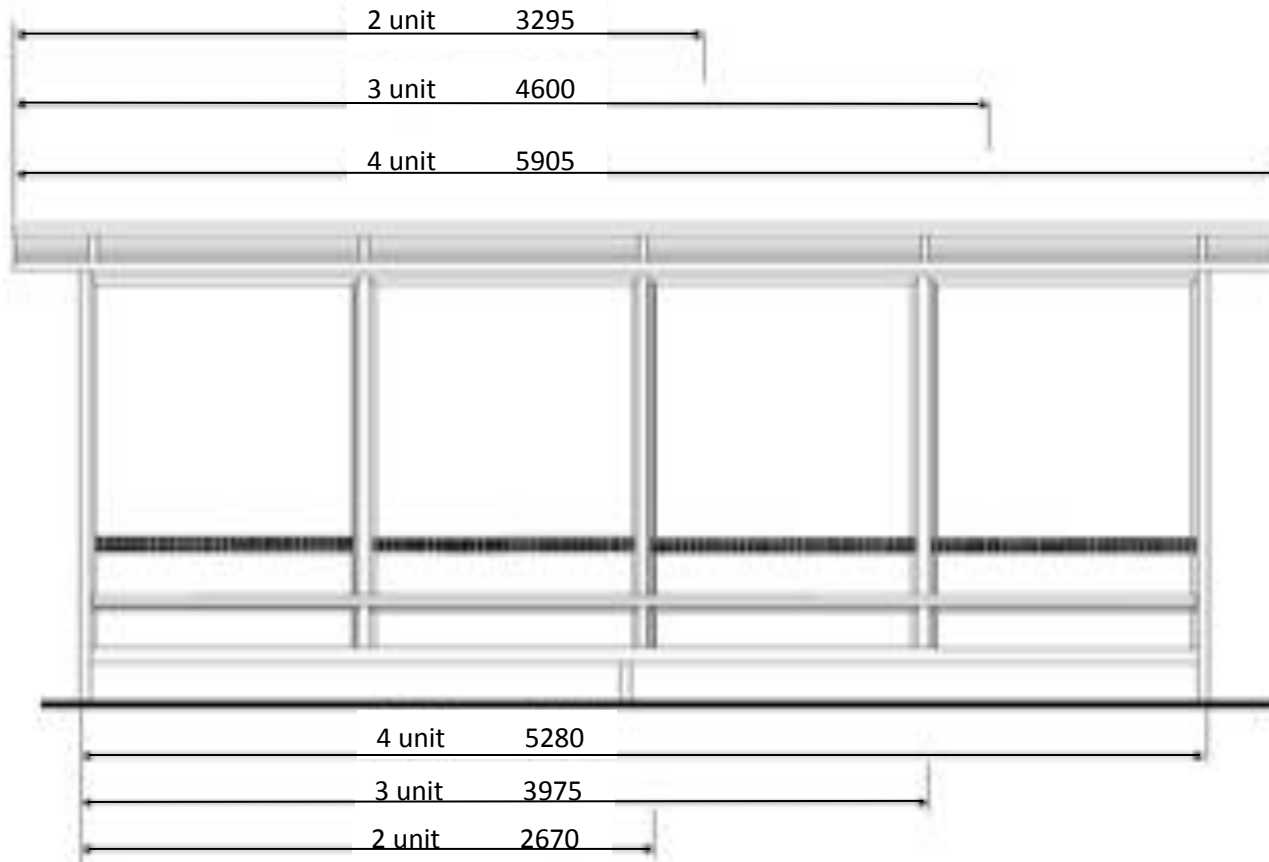
Slide the polycarbonate into the gap on the front roof beam - detail NNN.

NUMBER	QUANTITY	ELEMENTS
1	2	Polycarbonate 6x1650x1960
2	2	Polycarbonate 6x1300x1960
3	5	Band #60
4	2	Angle section for fixing polycarbonate 45x20x1,5 L=1355
5	2	Angle section for fixing polycarbonate 45x20x1,5 L=1670
6	22	Screw 6.3x25

Author user	Approved by	Date 2013-02-12
----------------	-------------	--------------------



Overall Sizes



THANK YOU FOR PURCHASING THIS PRODUCT

MAINTENANCE:

To ensure your product gives you many years of use we recommend that you:

- Clean panels regularly with soapy water
- Ensure all fittings are tight (for example after a big storm)
- Touch up any exposed metal should it get scratched

CONTACT DETAILS:

Email: Sales@nobutts.co.uk

Web: www.nobutts.co.uk

Tel: 0800 1777 052

NBB, Unit 5, 145 Sterte Road, Poole, Dorset BH15 2AF